



POSICLEAN® FOOD GRADE BELTING

Gates PosiClean is an easy to clean replacement of plastic modular chain in food process conveying.



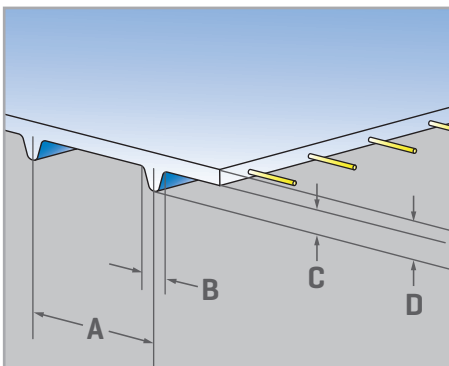
PosiClean's smooth, easy-to-clean surface reduces the risk of microbial contamination and its Kevlar® tension members minimize belt stretch and improve belt stability.

FEATURES

- Clean-in-place process
- Urethane material compatible with wash down environments
- Kevlar® tension members provide high strength, low stretch
- Sealed edges and tension members prevent ingress of microbes
- Free from surface "sinks" over teeth that prevent effective scraping
- USDA accepted for meat, poultry and dairy processing equipment

BENEFITS

- Reduction of in-process bacteria growth
- Reduces cleaning labor by 50%, water usage by 45%
 - Saves 600 gallons annually for every foot of 24" wide modular belt replaced
- Drop-in replacement for most 1" and 2" plastic modular belt
- Reduces or eliminates the need for snubbers and returnway supports
- Longer belt life due to minimal belt stretch



	PC10	PC20
A - Distance Between Teeth	1.020	1.970
B - Tooth Width	0.169	0.301
C - Tooth Height	0.138	0.226
D - Belt Thickness with Tooth	0.248	0.354

PC10

- 2" minimum pulley diameter, typically used for better handoffs
- Direct drop-in replacement for most 1" plastic modular belting

PC20

- Available in two cord per inch for light to medium applications and four cord per inch for high torque applications
- Direct drop-in replacement for most 2" plastic modular belt
 - 180° wrap around most 8, 10, and 12 tooth modular pulleys
- 4" minimum pulley diameter
- Can be used with the PosiLace™ pin fastening system

POSICLEAN SPECIFICATIONS

	PC20			PC10
	Standard	Hi Torque	Cold Temp	Standard
Designator	KV-FDA	HDK-FDA	HDK-R6	KV-FDA
Cords/inch	2	4	2	2
Pitch (nominal)	1.97" (50 mm)	1.97" (50 mm)	1.97" (50 mm)	1.02" (26 mm)
Hardness - Shore A	95	95	85	95
Surface Textures	Smooth & Inverted Pyramid			Smooth & Inverted Pyramid
Specific Belt Weight (lbs/ft/in)	0.089	0.089	0.089	0.063
Specific Belt Stiffness (lbs/inch/inch)	7400	11800	11800	7400
Min. Sprocket Dia. Service Temp above 25°F	3.76"	3.76"	3.76"	2.00"
Min. Sprocket Dia. Service Temp below 25°F	6.27"	6.27"	6.27"	3.25"
Min. Back Bend Dia. above 25°F	6"	6"	6"	3.5"
Min. Back Bend Dia. below 25°F	10"	10"	10"	5"
Service Temperature Range	-4° to 158° F (-23° to 70°C)	-4° to 158° F (-23° to 70°C)	-10° to 158° F (-23° to 70°C)	+15° to 160° F (-9° to 71°C)
Ultimate Belt Strength (lbs/in of width)	265	502	528	294
Coefficient of Friction (dynamic/static)				
Urethane vs. UHMW - Dry	0.20 / 0.30	0.20 / 0.30	0.54 to 0.69	0.20 / 0.30
Urethane vs. UHMW - Wet	0.35 / 0.58	0.35 / 0.58	-	0.35 / 0.58
Urethane vs. Stainless Steel - Dry	0.38 / 0.41	0.38 / 0.41	0.64 to 0.68	0.38 / 0.41
Urethane vs. Stainless Steel - Wet	0.40 / 0.57	0.40 / 0.57	-	0.40 / 0.57
Coefficient of Thermal Expansion (in/in/°F) (mm/mm/°C)	1.09 x 10 ⁻⁴ 1.96 x 10 ⁻⁴	1.09 x 10 ⁻⁴ 1.96 x 10 ⁻⁴	1.09 x 10 ⁻⁴ 1.96 x 10 ⁻⁴	1.09 x 10 ⁻⁴ 1.96 x 10 ⁻⁴
Color	PosiBlue, PosiWhite	PosiBlue	PosiBlue	PosiBlue, PosiWhite
Min. and Max. Width	5"/48"	5"/48"	5"/48"	4"/48"
Std. Roll Length	200'	200'	200'	200'

FASTENING OPTIONS

Max. Allowable Tension (lbs per inch width)⁽¹⁾

Platen Weld - 30 mm x 70 mm Finger	50	64	46	35
Platen Weld - Split Tooth	40	52	37	31
Butt Weld	31	31	30	31
PosiLace™ (up to 42" wide)	26	26	26	N/A
Flexco® UX15S Clipper® Wire Hooks	31	41	37	31
Flexco® APF150 Alligator® Plastic Rivet	25	25	23	N/A
Flexco® APF100 Alligator® Plastic Rivet	N/A	N/A	N/A	25
Flexco® RS125 Alligator® Ready Set™ Staple	26	26	23	N/A
Flexco® RS62 Alligator® Ready Set™ Staple	N/A	N/A	N/A	26

(1) Max allowable set as the lower of 25% yield strength or 2% stretch of weld or splice

POSICLEAN SLIT WIDTH TOLERANCES

Up to and Including 15.75"	15.76" to 23.62"	>23.63" or more
+0.00 to -.125"	+0.00 to -.1875"	+0.00 to -.25"

POSICLEAN SPROCKET SPECIFICATIONS

		PC20					PC10					
		6	8	10	12	16	6	8	10	12	20	
Number of Teeth		6	8	10	12	16	6	8	10	12	20	
Nom. Outside Diameter	inch	3.7	4.9	6.2	7.5	10	1.9	2.5	3.2	3.8	6.4	
Nominal Width	inch	1.3	1.3	1.3	1.3	1.3	1	1	1	1	1	
Available Bore Sizes	Imperial Sizes	Square, in	1.5	1.5	1.5	1.5	1.5	N/A	N/A	1.5	1.5	1.5
	Round*, in	1	1	1	1	1	1	1	1	N/A	N/A	N/A
Material		UHMW-PE					UHMW-PE					

* Imperial keyway sizes on round bores conform to ANSI standard B17.1 - 1967 (R1989); metric keyway sizes conform to BS 4235: Part 1: 1972 (1986)

POSICLEAN SPROCKET & SUPPORT GUIDELINES (PC20 and PC10)

Belt Width	inch	6	9	12	15	18	21	24	27	30	36	40	45	48
Min. No. Sprockets		3	3	4	4	5	6	6	7	7	8	9	10	11
No. Sprockets for Max. Allow. Tension	Max. 3" (76 mm) spacing center to center	3	4	5	6	7	8	9	10	11	13	15	16	17
Min. No. Carryway Supports	6" (152 mm) spacing center to center	2	3	3	4	4	5	5	6	6	7	8	9	9



1" Sprocket



2" Sprocket

GATES
 9 Northwestern Drive
 Salem, NH 03079
 Tel. +1 (603) 890-1515
 Tel. +1 (800) 394-4844
 Fax +1 (603) 890-1616
 Email: contact@gatesmectrol.com
 GatesMectrol.com

© Copyright 2018 Gates Mectrol Incorporated.
 All rights reserved

GM PosiClean 9-2018