

# SYNCHRONOUS BELTS

## THE OPTIMUM CHOICE FOR HIGH-PERFORMANCE, HIGH-TORQUE CONDITIONS AND QUIET OPERATION.

From aligning your drive components to transferring power between your critical systems, Gates innovative synchronous belts are designed to operate at higher temperatures, higher speeds, and over longer periods. Gates synchronous timing belts

are designed for the toughest Industrial equipment manufacturer requirements to ensure light, quiet, and efficient operation. When you need the quality, durability and performance of the highest level, equip your machinery, with the power of Gates.



### POWERGRIP® GT3

The PowerGrip® GT3 belt transmits up to 50% more power than the previous generations of PowerGrip® belts. This entire belt range is suited both for new drive designs as well as for replacements on existing drives without any adaptation of the system.

Available in 2MGT, 3MGT, 5MGT, 8 MGT and 14 MGT pitches.



### POLYURETHANE BELTS

If your process requires a belt design that meets very specific application needs, Gates offers you a variety of customised polyurethane belt products next to the standard belt range. These polyurethane belt products, tailor-made to fulfil your most challenging requirements, meet the same quality levels as their standard counterparts.

Available in T5, T10, AT5, AT10 and AT20 pitches.



### POLY CHAIN® GT CARBON™

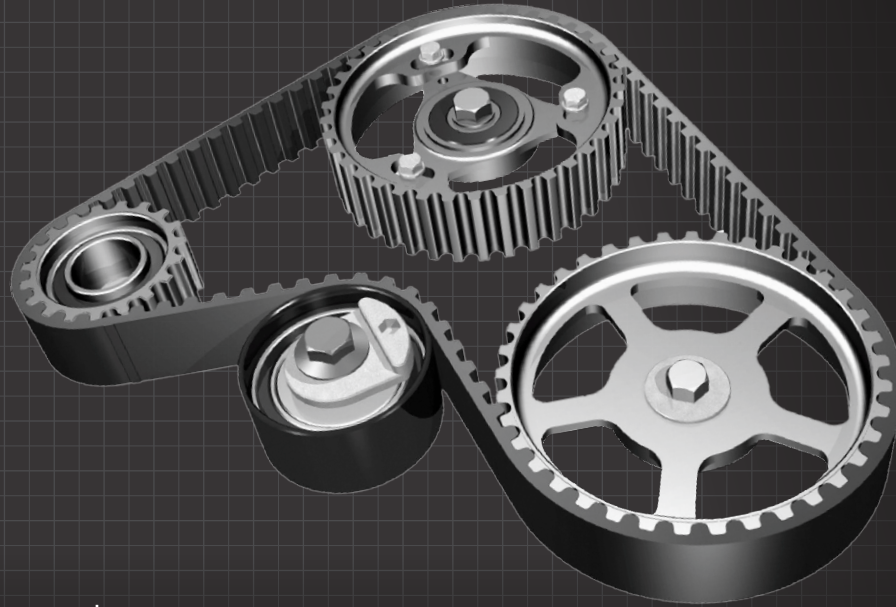
The unique construction makes all Poly Chain® belts extremely tough and virtually immune to abrasion and chemical attack. Since Poly Chain® belts do not require re-tensioning or lubrication they make an excellent alternative to roller chains. Furthermore, they offer a much cleaner and more compact drive solution but at the same or higher power capacity.

Available in 5MGT, 8MGT, 14MGT, and 19 MGT pitches.

GATES INDIA CORPORATE OFFICE:  
3rd Floor, Bldg #10, Tower C, Cyber City,  
Phase 2, Gurgaon, Haryana - 122002

GATES UNITTA INDIA CO. PVT. LTD.  
Plot No. F 19, Sipcot Industrial Pondur A,  
Sriperumbudur, Tamil Nadu - 602105





## SYNCHRONOUS BELT PULLEYS

### PRECISELY ENGINEERED FOR POSITIVE PRESS FIT WITH MINIMUM BELT WOBBLE.

Belts and Sprockets used together get the best out of your belt drive: maximal performance, prolonged antistatic properties and optimal lifetime. Perfect fit, precise design, easy installation, and simple removal - that's the quality you'll find with Gates sprockets,

engineered to optimize your power transmission and belt drive systems. If your application demands non-standard sprockets, Gates offers customizable system components with our Made-to-Order Metals engineering services.



#### PowerGrip® Sprockets

PowerGrip® Sprockets are well-suited for applications that demand high load-carrying capacity, as well as precision indexing or registration. PowerGrip Sprockets are specially engineered and manufactured to work with PowerGrip® GT2 and PowerGrip® GT3 belts, delivering maximum performance and superior reliability.



#### Poly Chain® GT® sprockets

Poly Chain® GT® sprockets use the tooth profile designed and developed by Gates and function with Gates Poly Chain® GT® belts in all existing constructions. These sprockets are statically balanced to make sure the entire belt drive is as safe as possible. Furthermore, they are manufactured, specified and tested to perfectly support the full power capabilities of the Gates Poly Chain® belt product range.

GATES INDIA CORPORATE OFFICE:  
3rd Floor, Bldg #10, Tower C, Cyber City,  
Phase 2, Gurgaon, Haryana - 122002

GATES UNITTA INDIA CO. PVT. LTD.  
Plot No. F 19, Sipcot Industrial Pondur A,  
Sriperumbudur, Tamil Nadu - 602105

